



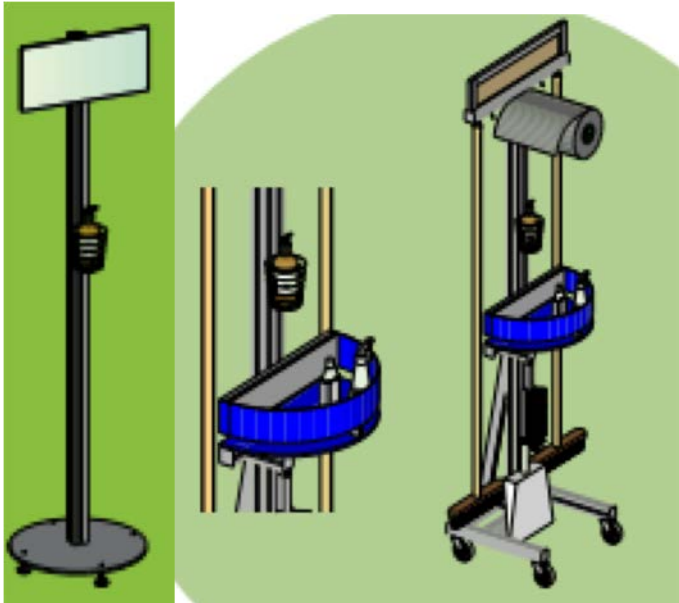
LMI Solutions

Covid19 Safety Solutions

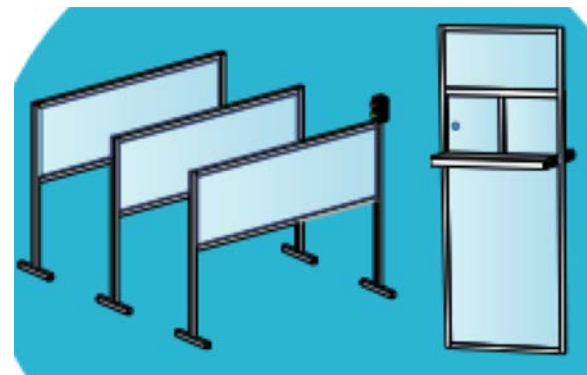
Health Barriers & Social Distancing Systems

- ▶ Take advantage of a wide range of standard or custom solutions, delivered as a kit or assembled. Get protection for your employees, customers, patients and students - Let LMI Solutions meet your needs.

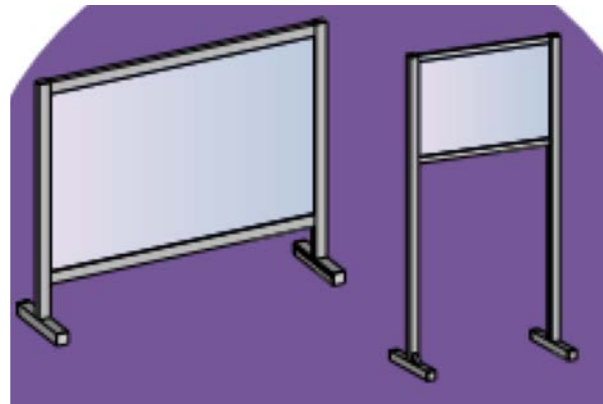
Gel dispenser posts & cleaning stations



Entry SAS & door modules

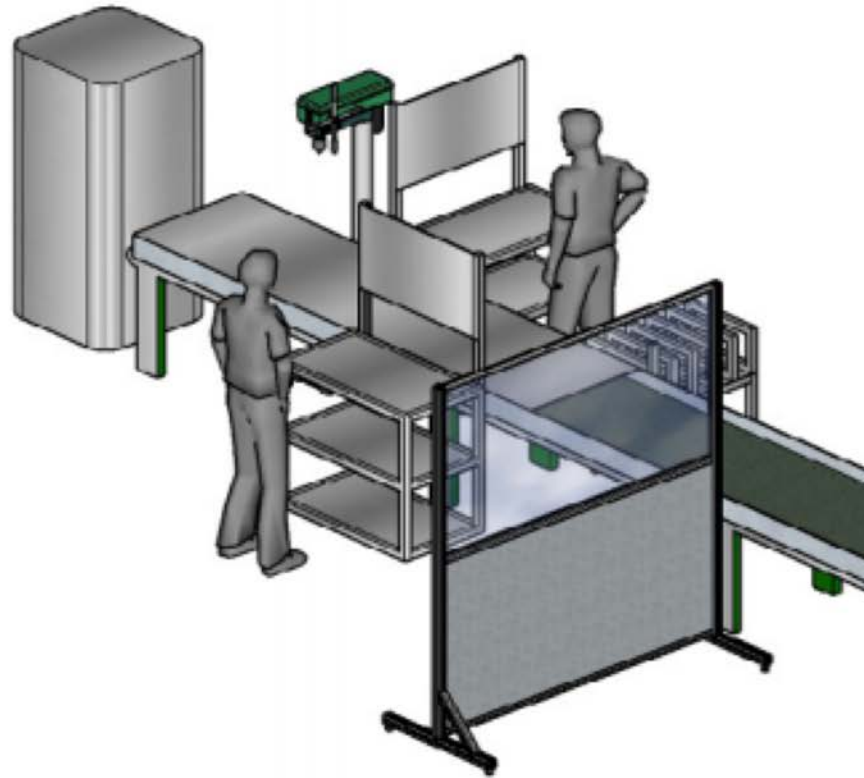
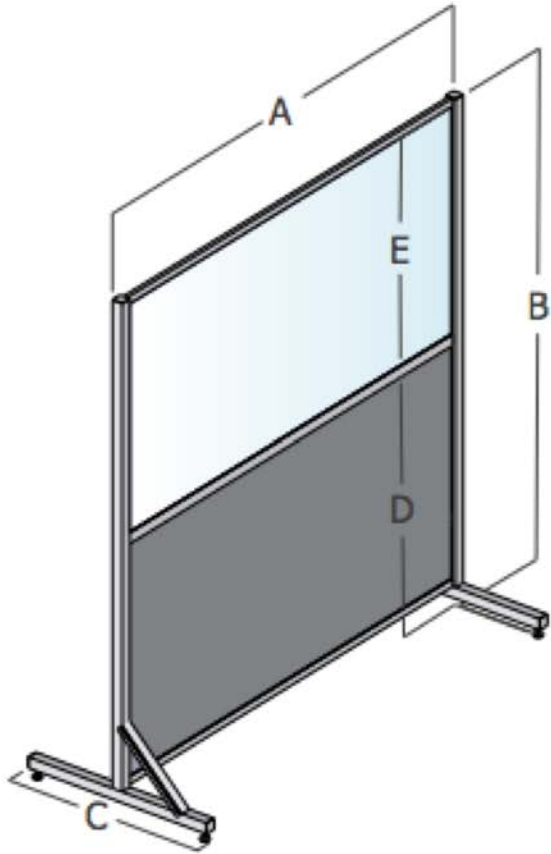


Freestanding or counter screens

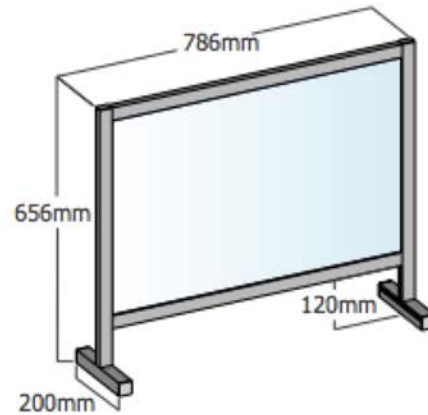
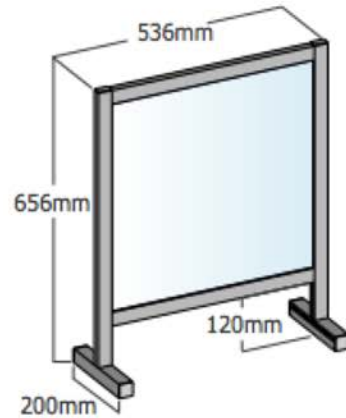
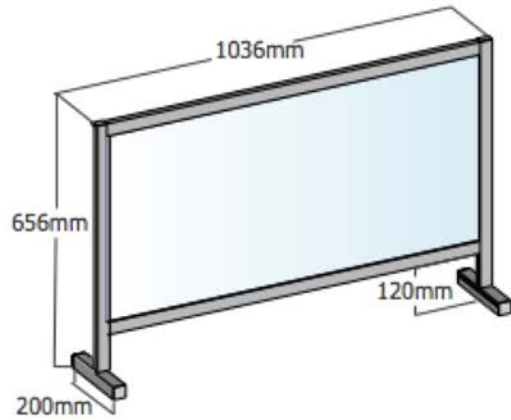
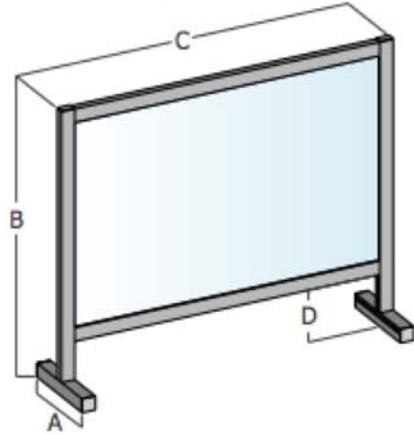


Solutions for the workshop

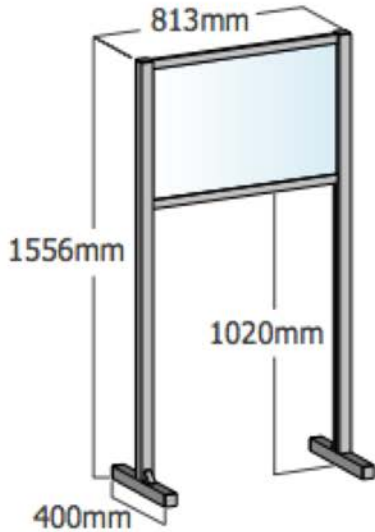
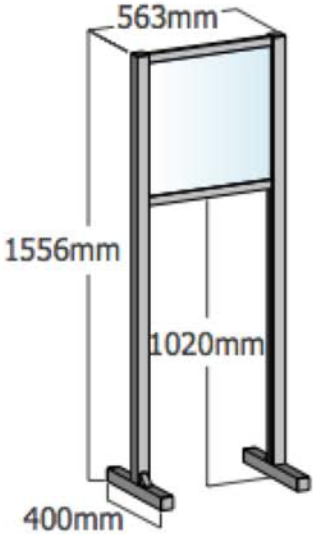
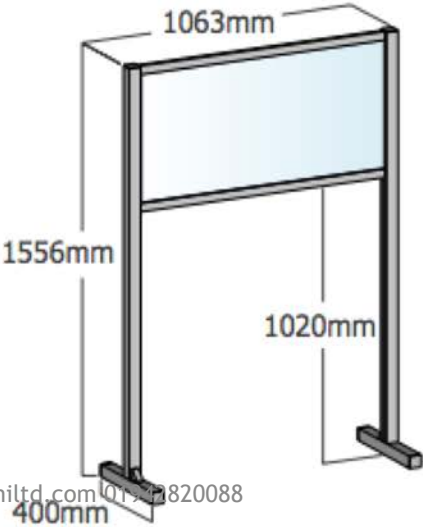
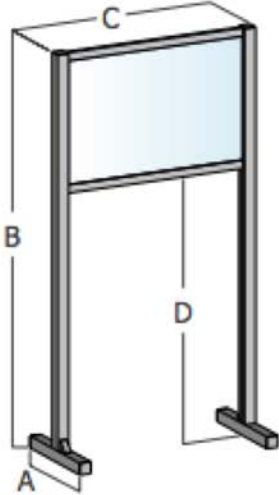
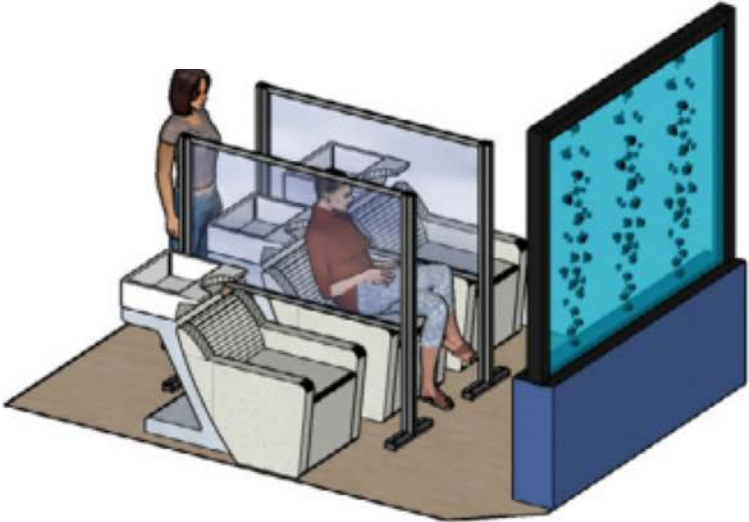
► Moveable Vertical Separators



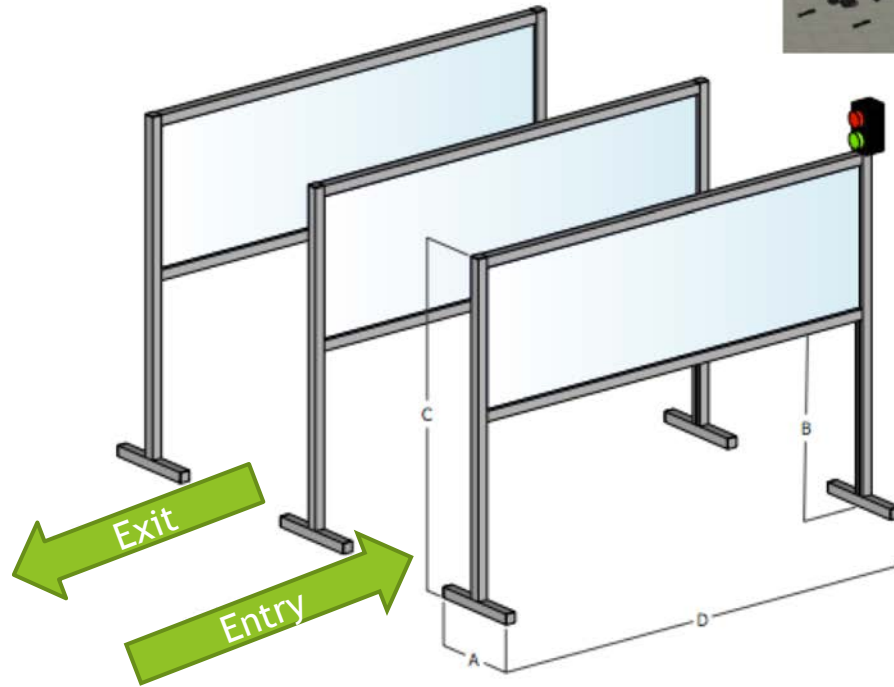
Counter Screens



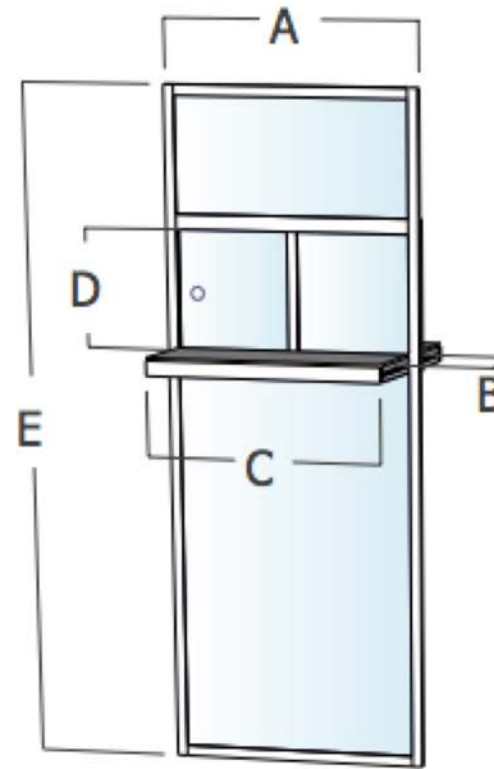
Floor Standing Screens



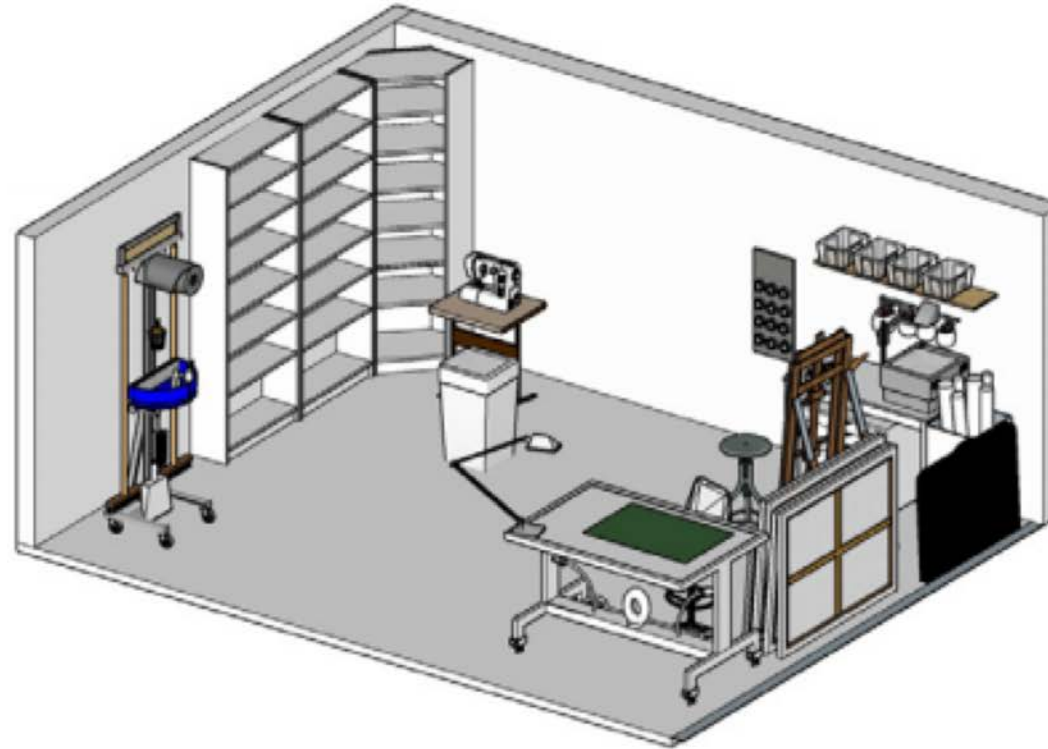
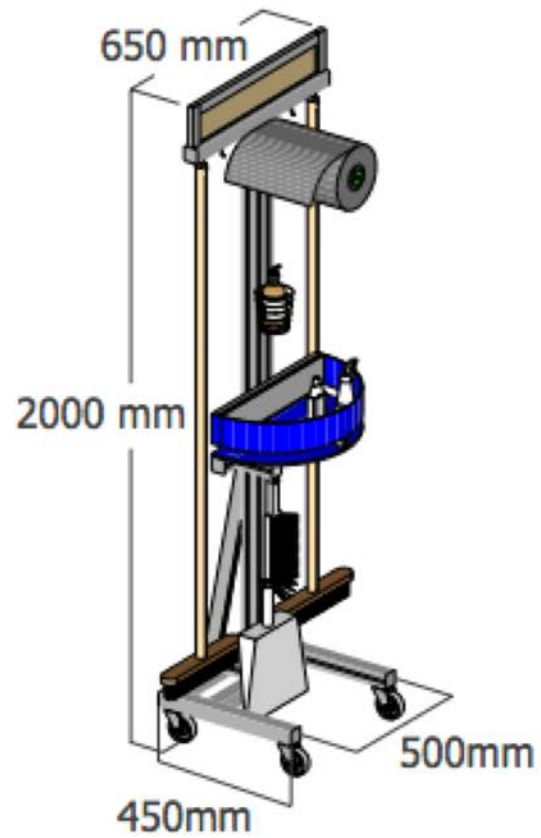
Entry SAS & Door Modules



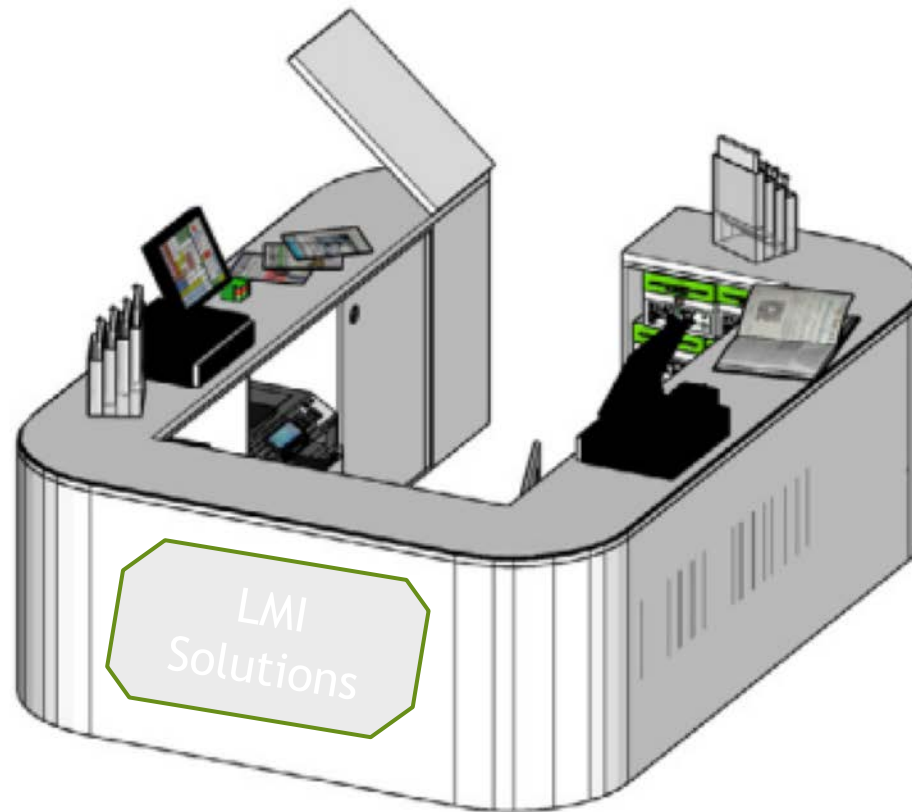
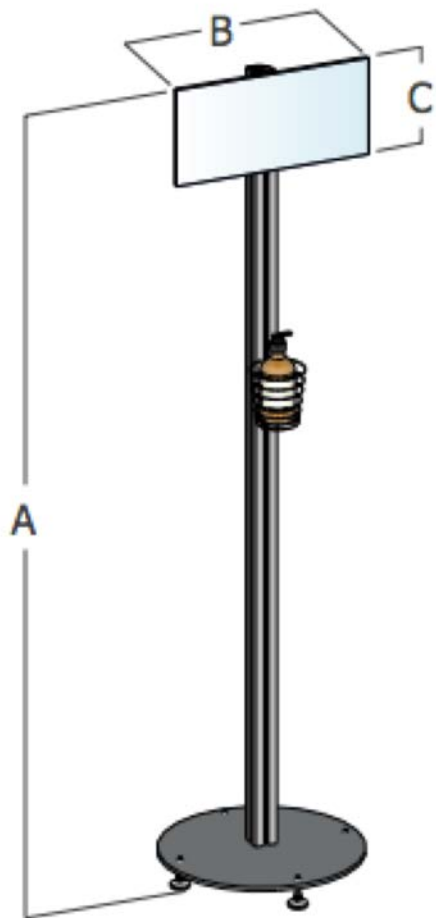
Door Modules



Cleaning Station



Communication Post



We have solutions to suit your business

Please call 01942820088 or email sales@lmiltd.com

You can view our website at www.lmisolutions.co.uk

